

TST 14, TST 10, TST 20 // Switches



TST 14 switch

- Basic control unit for switching 230 V 1~ drives on and off, with logic function for VariVent® TC System. Automation in conjunction with LSR 20 or LSR 35 ventilation controller.
- Operation by pushbuttons (deadman). It can be choose between Manual or Automatic switch.
- IP 54 plastic housing with cable screw connections.

TST 10 switch

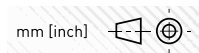
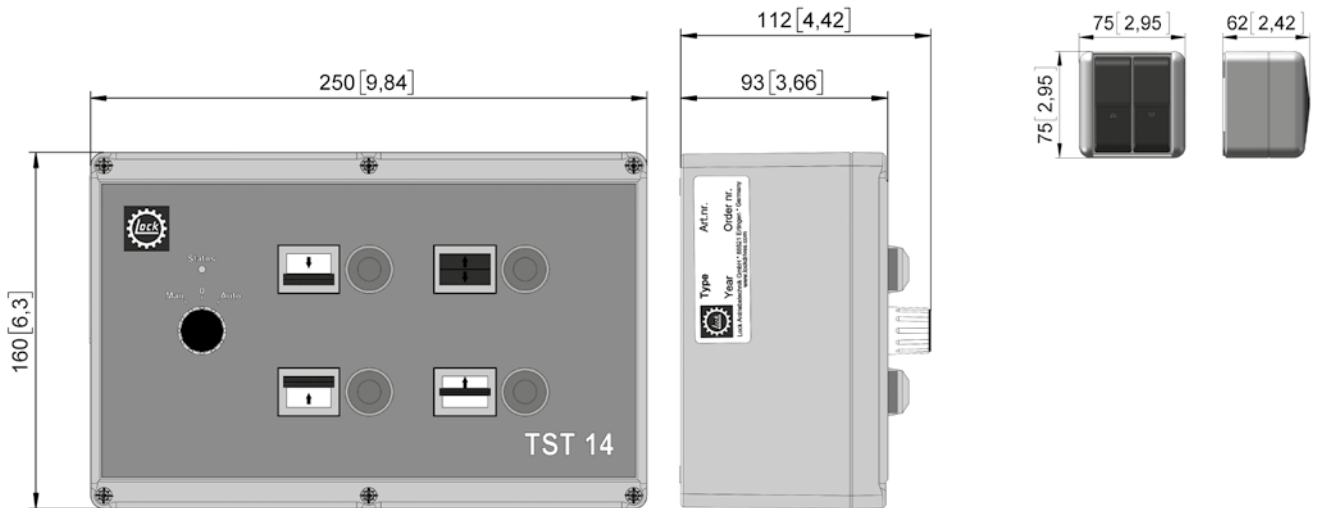
- To simplify the mounting of 230 V 1~ drives and for setting the limit switches. Is dismantled again after assembly.
- With mains connector and terminal contact strip.
- Both directions of rotation can be operated using just one switch.

TST 20 switch

- For simple activation of 230 V 1~ drives. Suitable for a wet room.
- Buttons mechanically interlocked (deadman).

TST 14

TST 20



Version	Type no.	U [V]	m [kg]
TST 14.1001	30914.1001.0101	230	1,1
TST 10.1001	30910.1001.0101	230	0,4
TST 20.1001	30920.1001.0101	230	0,2