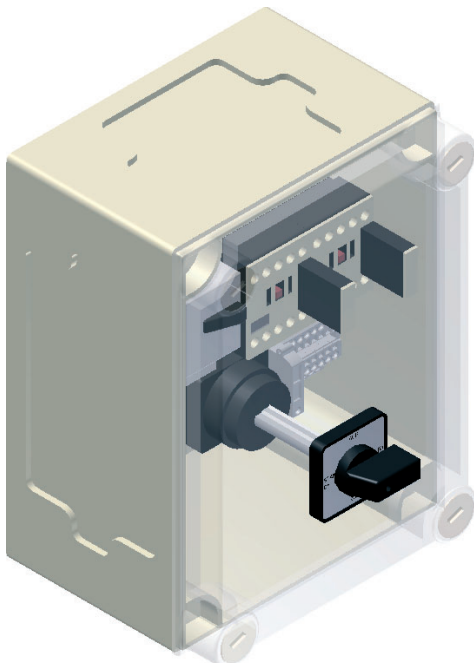


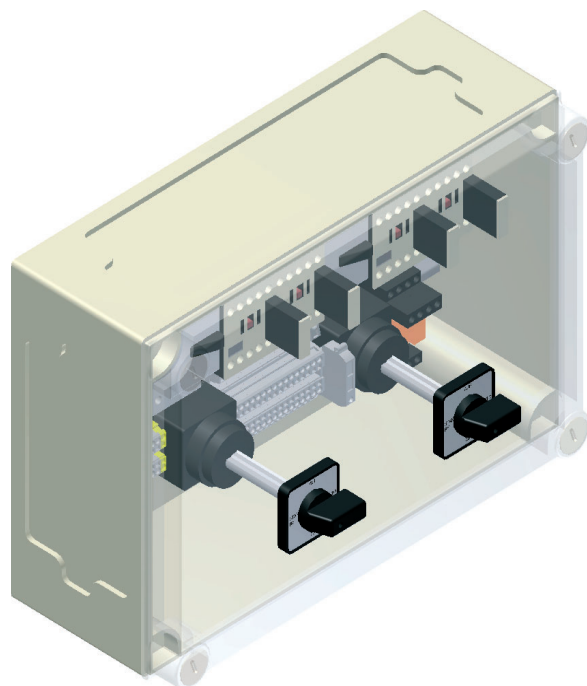


# Power section EHS

## Insatllation an operating instructions



EHS1



EHS2

**Here´s how you can reach us:****Manufacturer:**

Lock Antriebstechnik GmbH  
Freimut-Lock-Strasse 2  
D-88521 Ertingen

Phone - Head office	+49 (0)73 71-95 08-0
Fax	+49 (0)73 71-95 08-80
E-mail	info@lockdrives.com
Internet	http://www.lockdrives.com

**Service Partner:**

E.P. Elektro-Projekt GmbH & Co. KG  
Brechenmacherstraße 2  
D-88250 Weingarten

Phone - Head Office	+49 (0)751-40 05-0
Fax	+49 (0)751-40 05-1 14
E-mail	info@epelektroprojekt.de
Internet	http://www.epelektroprojekt.de

4th edition August 2022



Switch off the power supply before opening the equipment!



All maintenance and repair work must be carried out by qualified personnel. During operation and for all maintenance and repair work, the relevant accident prevention regulations must be observed. Opening covers or removing parts may expose live parts!



When installing the ventilation controllers and electric drives, a three-pole main switch must be provided to shut down the system. This is connected upstream of the whole system.

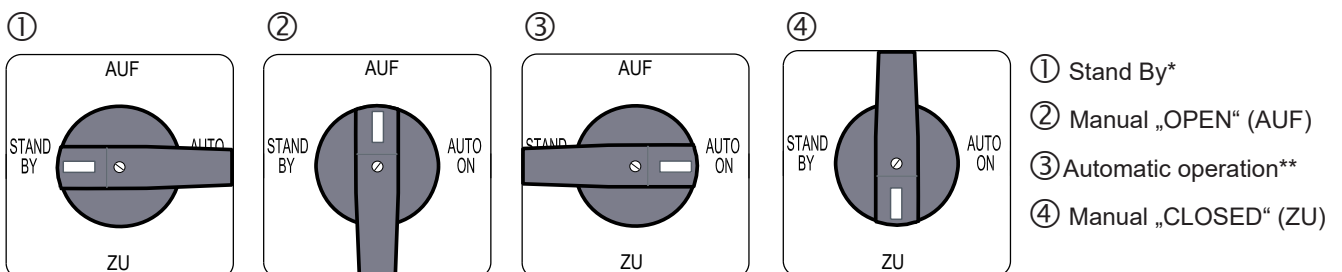


The rated current of Q1 must correspond to the rated motor current. The supply line must be protected by an external fuse (max. 16 A).



Any repair of defects or damage by the operator of the system or by third parties may only be carried out with the prior consent of Lock Antriebstechnik. Without this consent, Lock Antriebstechnik is not obliged to acknowledge any claims or demands.

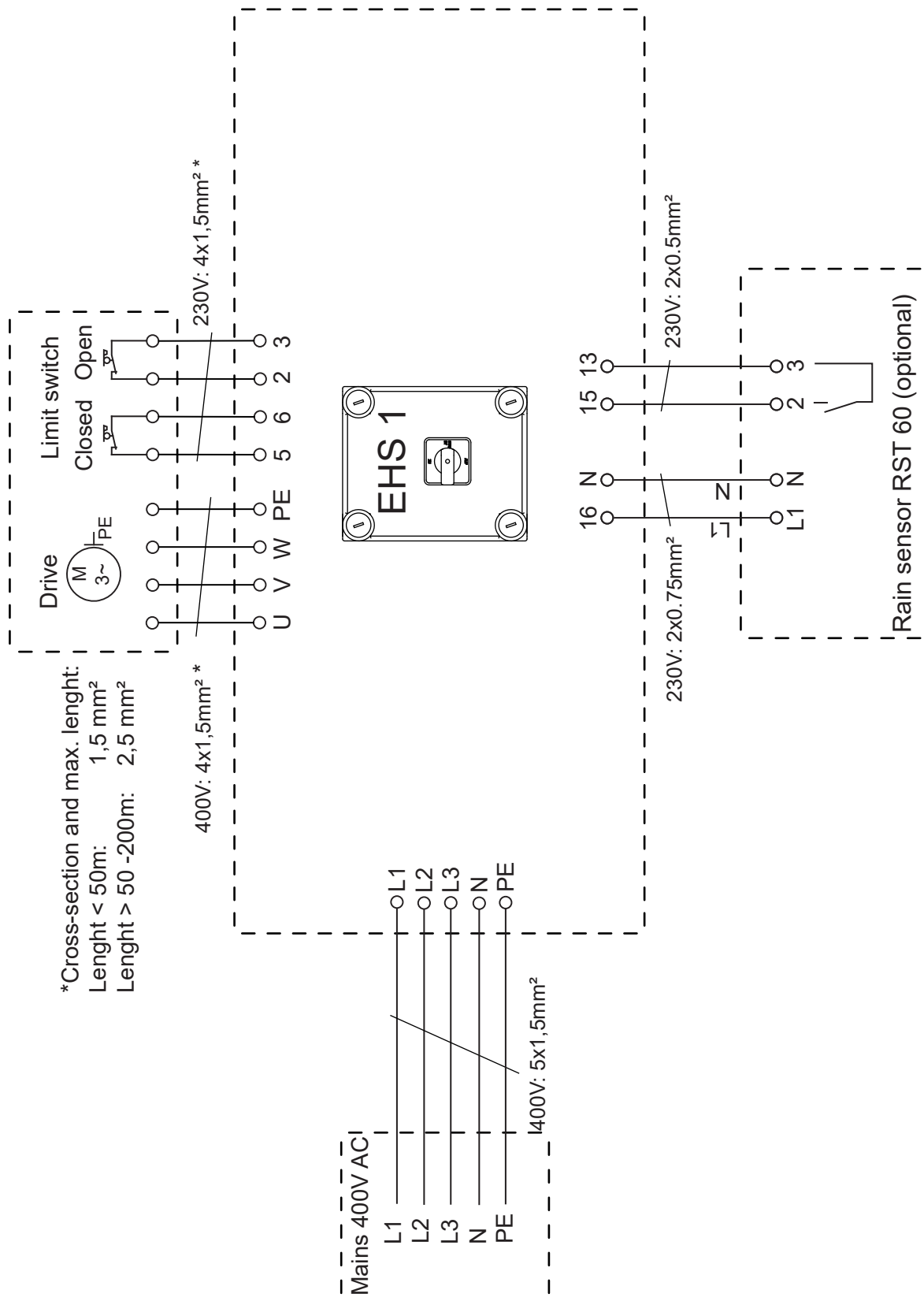
## Functions on the power unit



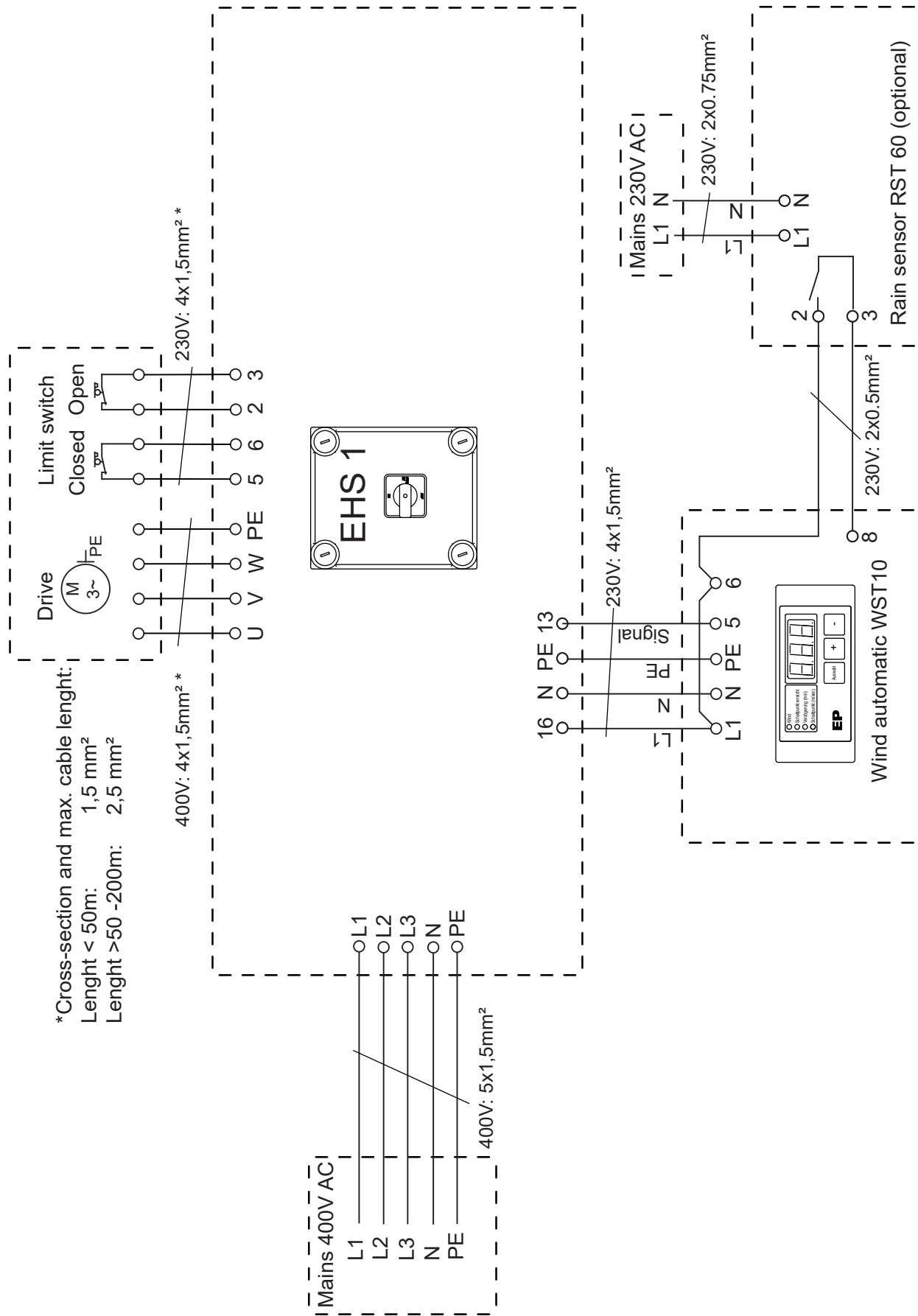
\*In standby mode, the wind/rain option is overriding!

\*\*Automatic operation is only possible in conjunction with the LSR 20 ventilation controller!

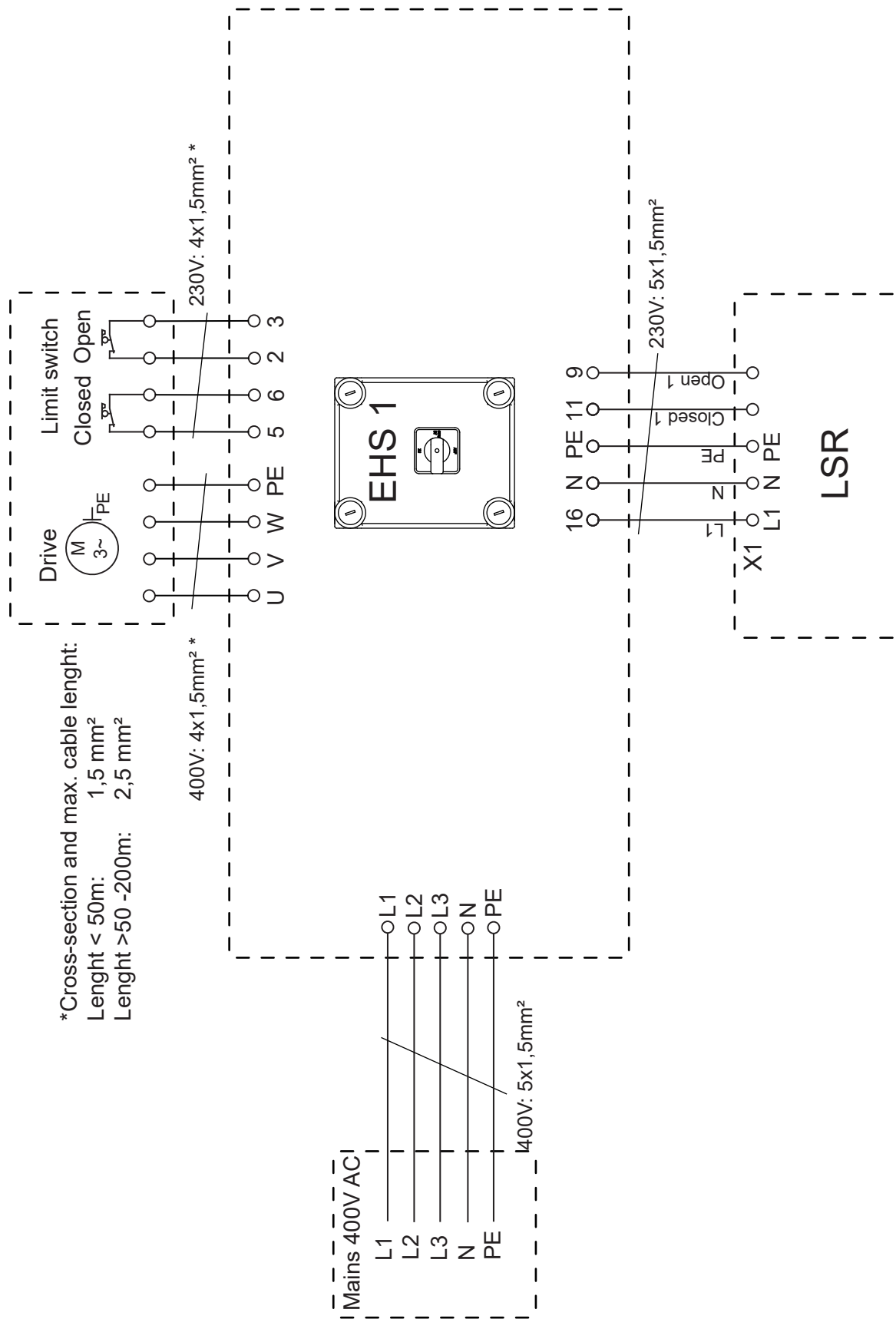
# Power unit single 400V for manual operation



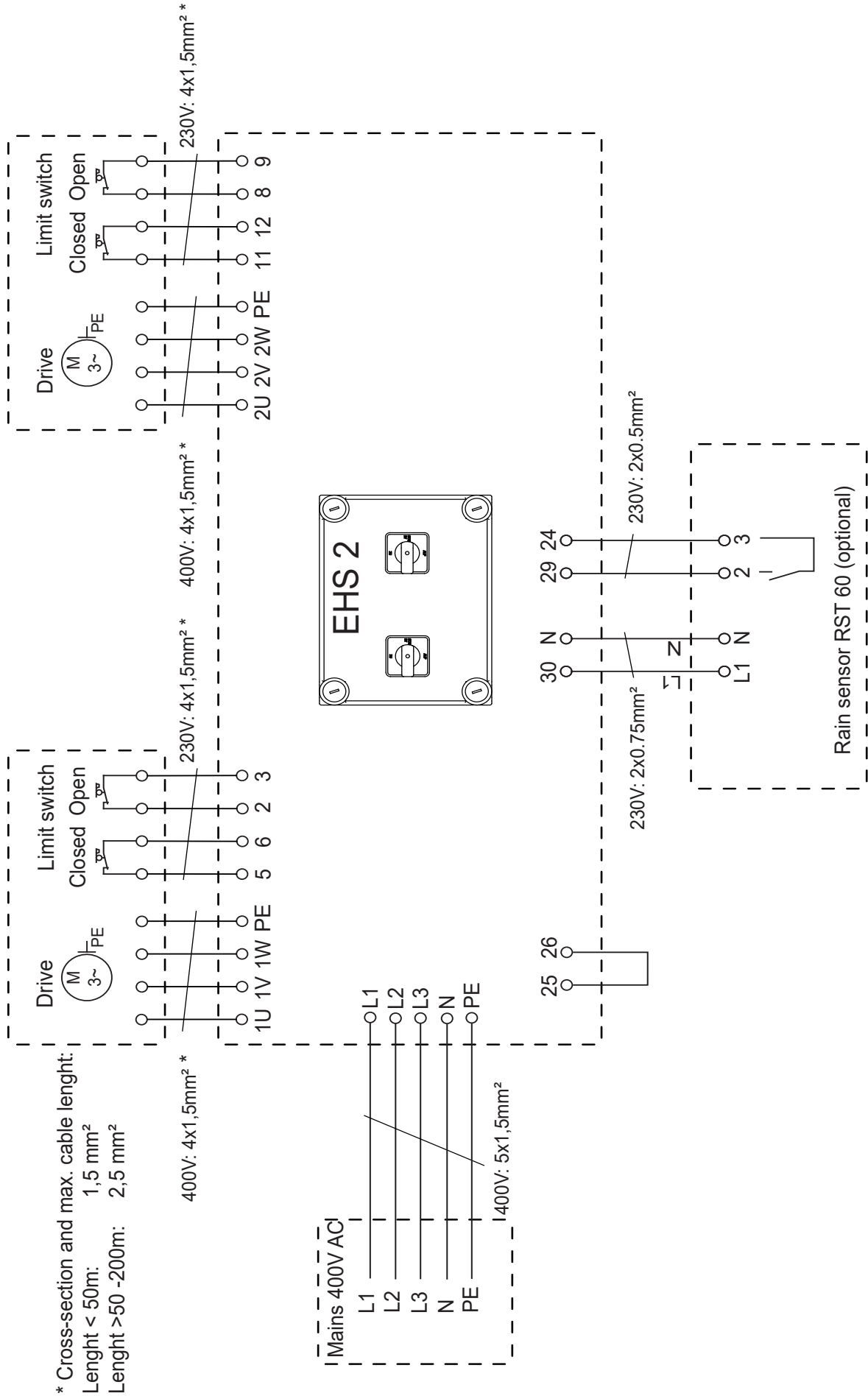
# Power unit single 400V for manual operation with wind automatic WST10



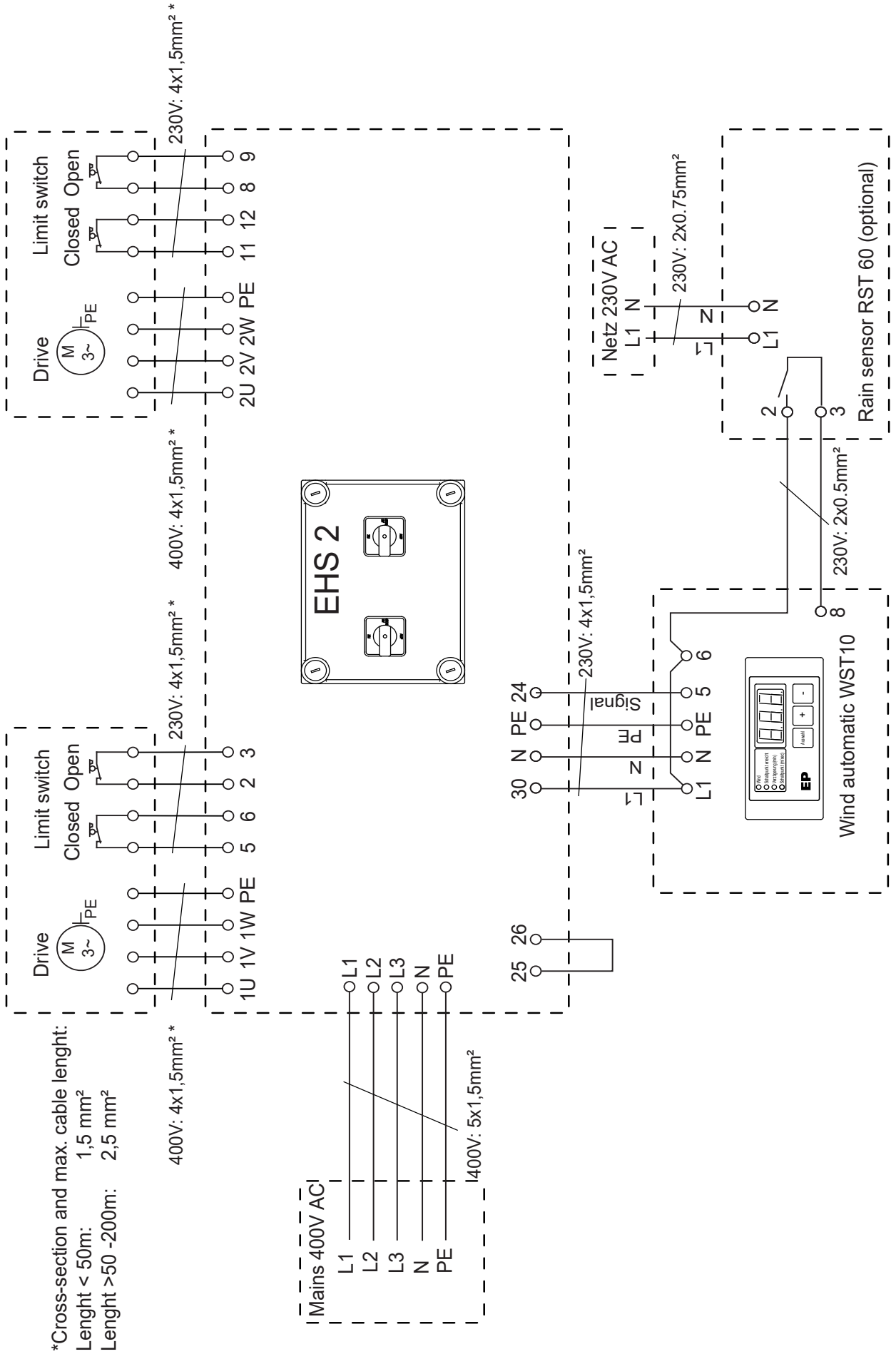
# Power unit single 400V with LSR



# Power unit double 400V for manual operation



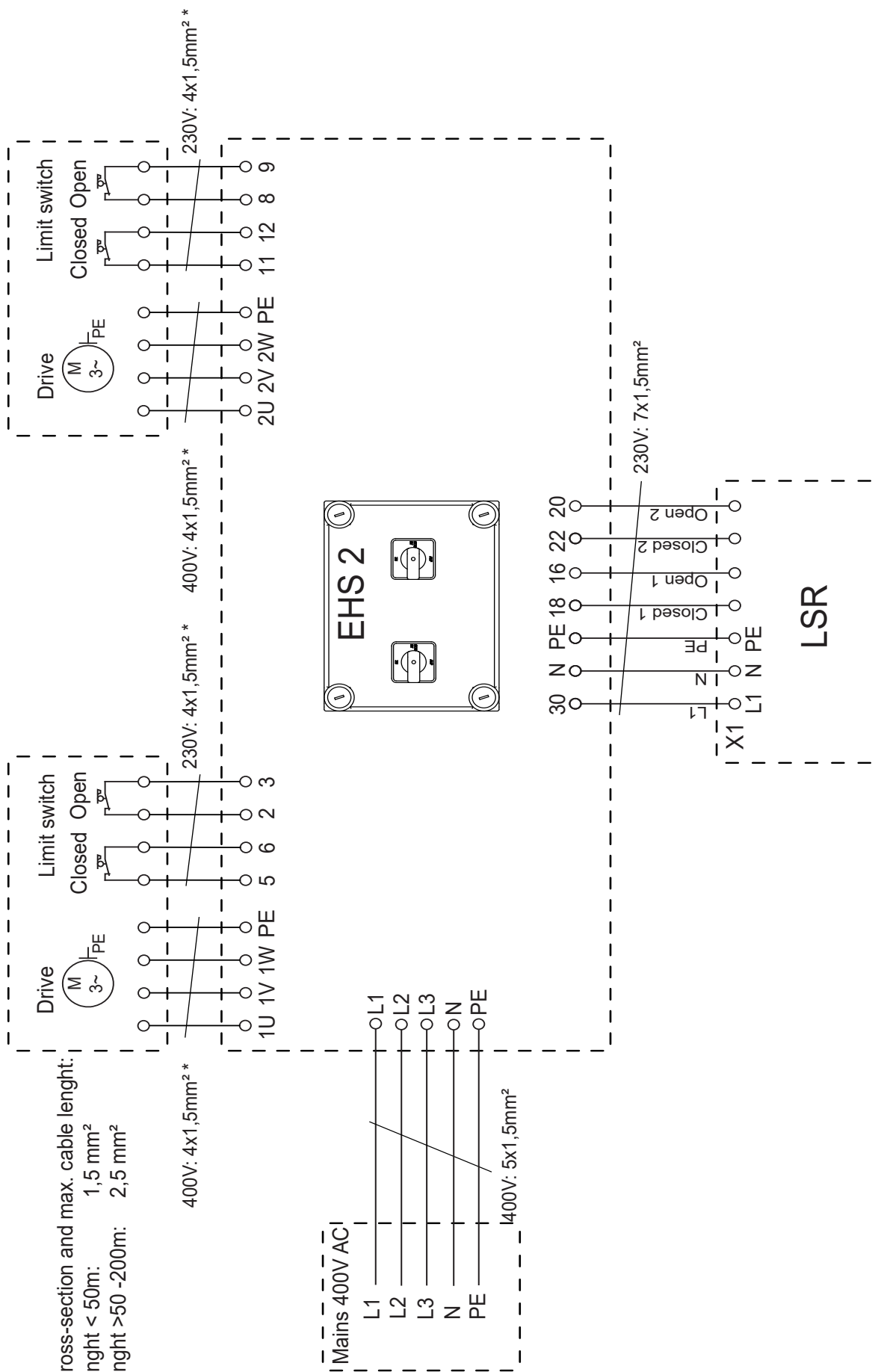
# Power unit double 400V for manual operation with wind automatic WST10

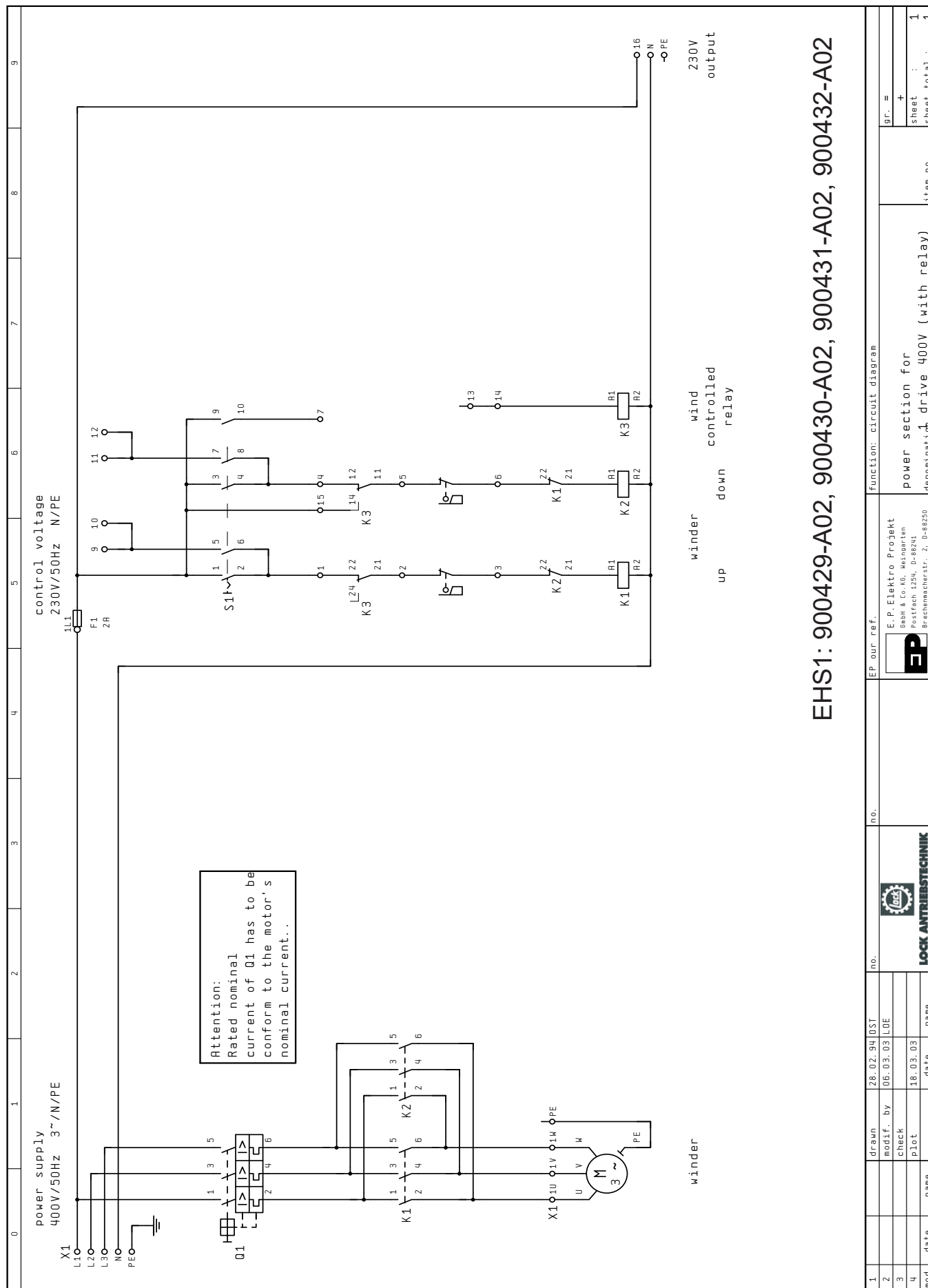




# Power unit double 400V with LSR

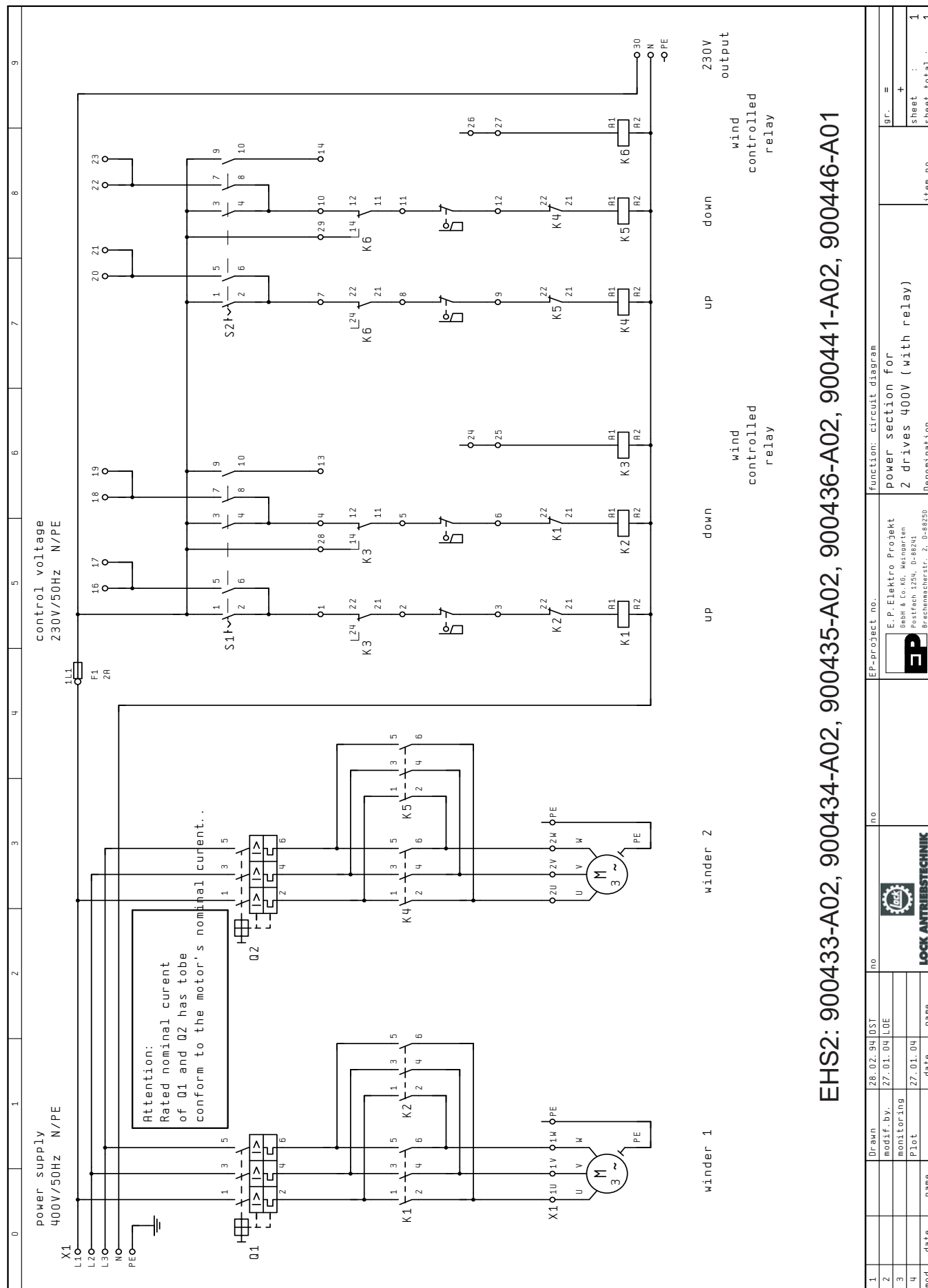
\*Cross-section and max. cable length:  
 Length < 50m: 1,5 mm<sup>2</sup>  
 Length >50 -200m: 2,5 mm<sup>2</sup>





EHS1: 900429-A02, 900430-A02, 900431-A02, 900432-A02

1	drawn	28.02.94	UST	no.	EP our ref.	function: circuit diagram	gr. =
2	modif. by	06.03.03	LDE		E. P. Elektro Projekt GmbH & Co. KG, Messegarten Postfach 2294, D-88241 Bredeneckstr. 2, D-88250	power section for denominational drive 400V (with relay)	+
3	check						Sheet : 1
4	plot	18.03.03					Sheet total: 1
mod.	date	name	date	name			item no



EHS2: 900433-A02, 900434-A02, 900435-A02, 900436-A02, 900441-A02, 900446-A01

1	Drawn	28.02.94	UST	Ino	EP-project no.	function: circuit diagram	gr. =
2	modif. by.	27.01.04	LOE		power section for		+
3	monitoring	27.01.04			2 drives 400V (with relay)		
4	Plot	27.01.04			Denomination	item no	Sheet total: 1
mod.	date	name	date	name			Sheet : 1

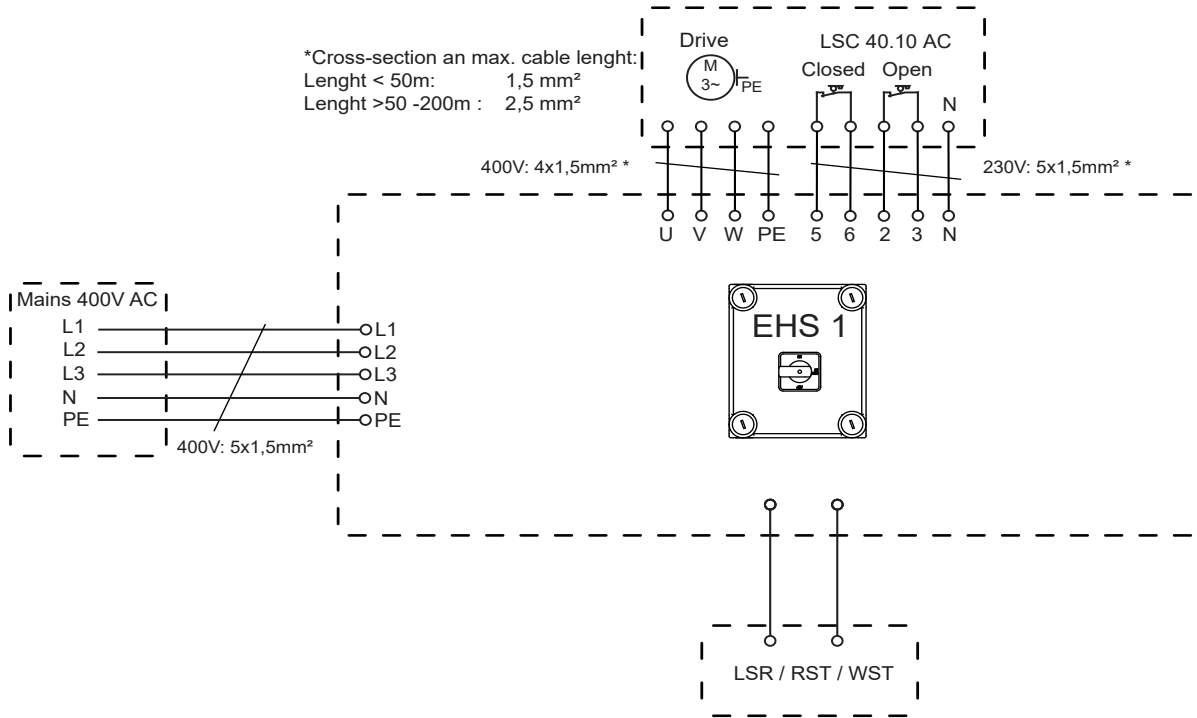
## Wiring diagram with LSC 40.10 AC

**Important:** Observe the safety instructions in the installation and operating instructions for the EHS power unit.

**Note:** When using the EHS together with the LSC 40.10 AC control unit, it is essential to ensure that the N terminal of the LSC 40.10 AC is connected to the N conductor.

### EHS 01:

#### Power single unit 400V with LSC 40.10 AC



### EHS 02:

#### Power unit double 400V with LSC 40.10 AC

