

KKS 11, KKS 15 // Chain coupling

6° angle adjustment

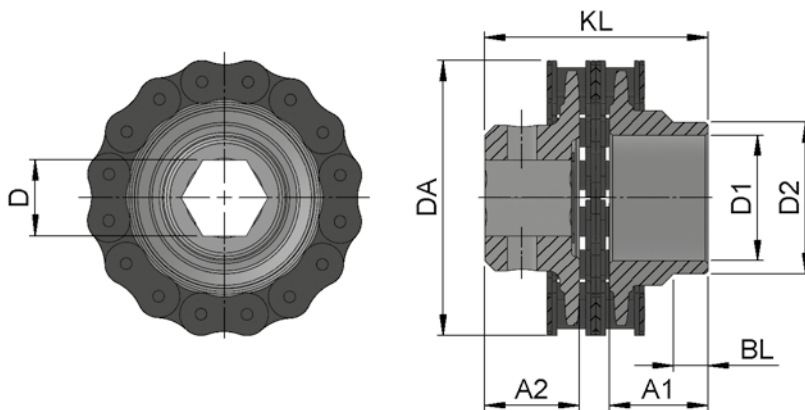


- Coupling with 6° angle adjustment and axial mounting to transmit torques from power drives to adapter tubes.
- KKS 11 for welding to the tube, KKS 15 for screw-mounting.
- It is possible to remove the drive after disconnecting the chain.
- The 2 rows of chain links permit larger alignment errors of up to 6° between drive and adapter shaft.
- Steel coupling, weldable, milled, weld hub with bore or collar for welding to output tube.
- Axial mounting with circlip, except for We 68.
- Can be used for speeds of up to 30 rpm.

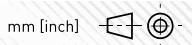
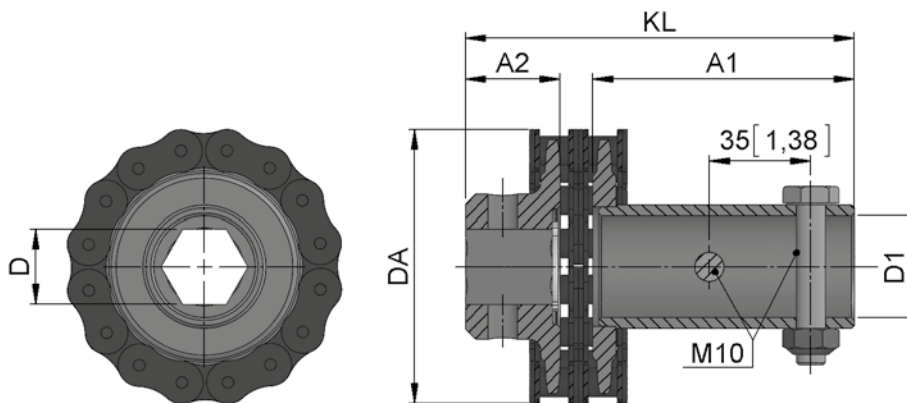
Note:

- Note permitted torque for adapter tube. If necessary, use tube with greater wall thickness, e.g. 1", DIN 2441 33.7 x 4.05 mm.

KKS 11



KKS 15



KKS 11, KKS 15

6° angle adjustment



KKS 11

KKS 15

→ Please note: 'Version' only applies to complete KKS. If required, A/B sides can also be ordered separately by quoting their respective order number(s).

Shaft We 66

KKS complete

Version	Type no.	Type no. A side	Type no. B side	T max [Nm]	D [mm]	D1 [mm]	D2 [mm]	A1 [mm]	A2 [mm]	BL [mm]	DA [mm]	KL [mm]	Tube ø [mm]	Chain	m complete [kg]
KKS 11.6643	20611.6681.43	20611.9181.66	20611.9581.43	300	26	43,0	52,0	34	33	12	96	77,0	5/4";2"	5/8"x16	1,6
KKS 11.6643	20611.6698.43	20611.9191.66	20611.9591.43	450	26	43,0	52,0	26	34	3	114	70,0	5/4";2"	3/4"x16	2,5

KKS 15.6634	20615.6681.34	20611.9181.66	20615.9581.34	300	26	34,5	-	91	33	-	96	134,0	1"	5/8"x16	1,5
KKS 15.6643	20615.6681.43	20611.9181.66	20615.9581.43	300	26	43,0	-	91	33	-	96	134,0	5/4"	5/8"x16	1,5

→ Used for EWA 10–EWA 16 1200 Nm, LZG 20

Shaft We 68

KKS complete

Version	Type no.	Type no. A side	Type no. B side	T max [Nm]	D [mm]	D1 [mm]	D2 [mm]	A1 [mm]	A2 [mm]	BL [mm]	DA [mm]	KL [mm]	Tube ø [mm]	Chain	m complete [kg]
KKS 11.6843	20611.6898.43	20611.9191.68	20611.9591.43	450	30	43,0	52,0	26	35	3	114	70,0	5/4";2"	3/4"x16	2,5
KKS 11.6846	20611.6899.46	20611.9192.68	20611.9592.46	750	30	30,0	45,5	33	33	3	120	86,0	Ø51 t=2,25	1"x12	3,5
KKS 11.6849	20611.6899.49	20611.9192.68	20611.9592.49	750	30	49,0	-	33	33	-	120	86,0	1½"	1"x12	3,5
KKS 11.6852	20611.6899.52	20611.9192.68	20611.9592.52	750	30	-	52,0	33	33	3	120	86,0	2"	1"x12	3,5

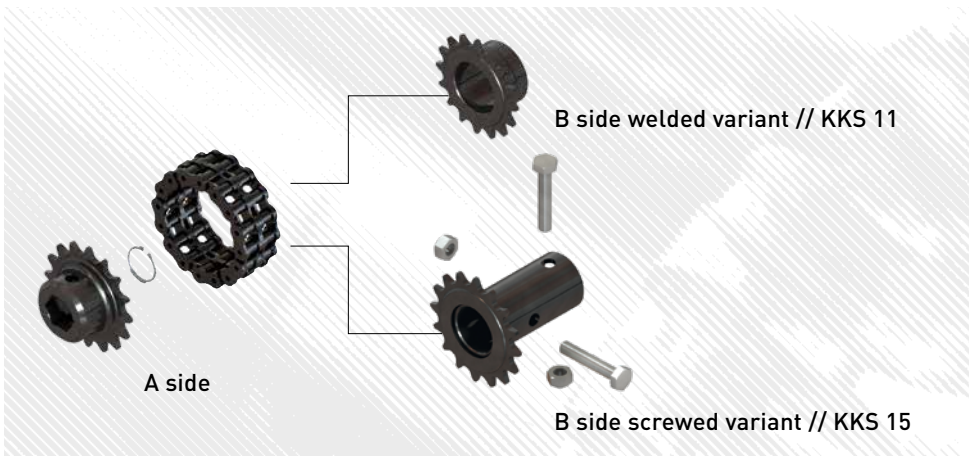
→ Used for LZG 24

Shaft We 19

KKS complete

Version	Type no.	Type no. A side	Type no. B side	T max [Nm]	D [mm]	D1 [mm]	D2 [mm]	A1 [mm]	A2 [mm]	BL [mm]	DA [mm]	KL [mm]	Tube ø [mm]	Chain	m complete [kg]
KKS 11.1943	20611.1998.43	20611.9191.19	20611.9591.43	450	45	43,0	52,0	26	50	3	114	85,5	5/4";2"	3/4"x16	2,5
KKS 11.1946	20611.1999.46	20611.9192.19	20611.9592.46	750	45	30,0	45,5	33	50	3	120	101,0	Ø51 t=2,25	1"x12	3,7
KKS 11.1949	20611.1999.49	20611.9192.19	20611.9592.49	750	45	49,0	-	33	50	-	120	101,0	1½"	1"x12	3,7
KKS 11.1952	20611.1999.52	20611.9192.19	20611.9592.52	750	45	-	52,0	33	50	3	120	101,0	2"	1"x12	3,75

→ Used for EWA 16 1200 Nm + 1500 Nm



Option: A side available in components (sprocket wheel, chain).