

# KGO 31 // Deflection gear unit

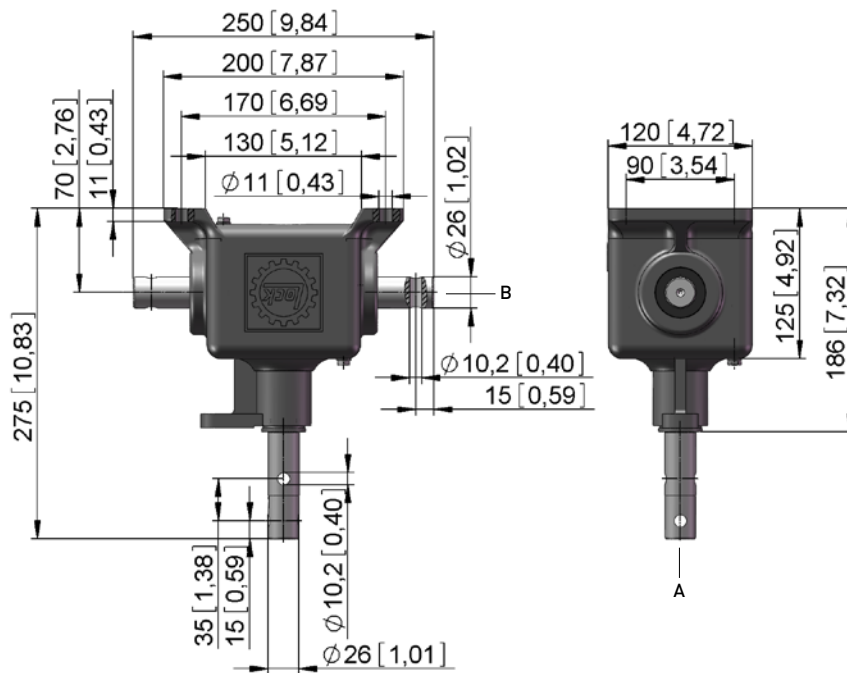
## 150 Nm



- 90° deflection gear unit for actuation of ventilation shafts in greenhouses, buildings and animal sheds, in system construction for distribution of forces; in conjunction with out self-locking shaft drives.
- Cast housing with crown gear and spur gear made of steel (similar to bevel gear). Housing sealed.
- Shaft A: We 07 (ø 26 mm) for 1" tube. Shaft B: We 06 (ø 26 mm) for 1" tube.
- Drive speed max. 40 rpm.

**Note:**

- All shafts are equally well suited for use as input or as output shafts.



mm [inch]

Version	Type no.	T output [Nm]	T input [Nm]	i	n1 max [1/min]	m [kg]
KGO 31.1115	62510.1115.06	150	210	1:1	40	8,1

# KGO 32 // Deflection gear unit

## 150 Nm



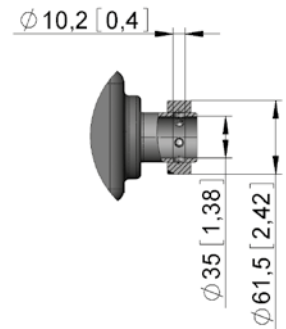
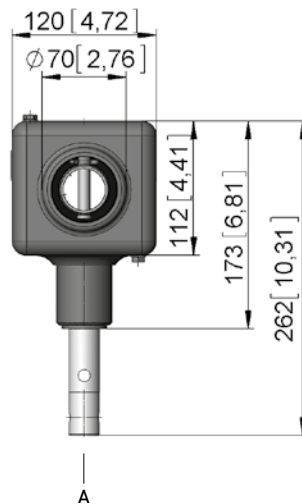
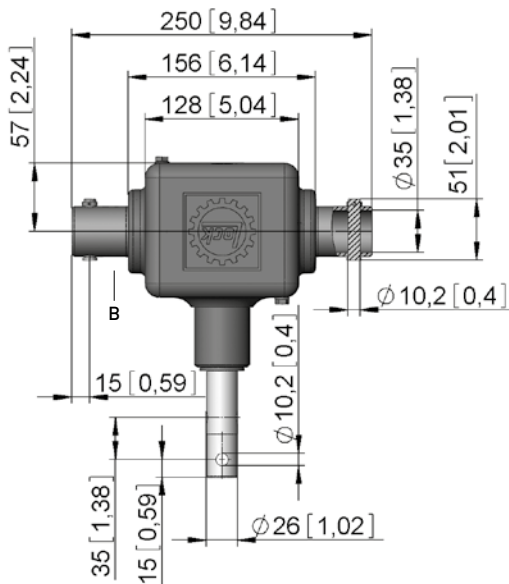
- 90° deflection gear unit for actuation of ventilation shafts in greenhouses, buildings and animal sheds, in system construction for distribution of forces; in conjunction with out self-locking shaft drives.
- Cast housing with crown gear and spur gear made of steel (similar to bevel gear). Housing sealed.
- Shaft A: We 07 (ø 26 mm) for 1" tube. Shaft B: We 06 quill shaft (ø 35 mm) for 1" tube.
- For simple connection with drive tube without the need for drilling, we recommend version KGO 32 with clamping ring.
- Input speed max. 40 rpm.
- Operating mode S3-40 %.

**Note:**

- Tighten clamping ring screw down to 25 Nm!
- All shafts are equally well suited for use as input or as output shafts.

KGO 32  
incl. 2 bolts

KGO 32  
incl. clamping ring



mm [inch]

Version	Type no.	T output [Nm]	T input [Nm]	i	Info	m [kg]
KGO 32.1115	62512.1115.7301	150	210	1:1	incl. bolts	7,6
KGO 32.1115	62512.1115.7320	150	210	1:1	incl. clamping ring	8,2