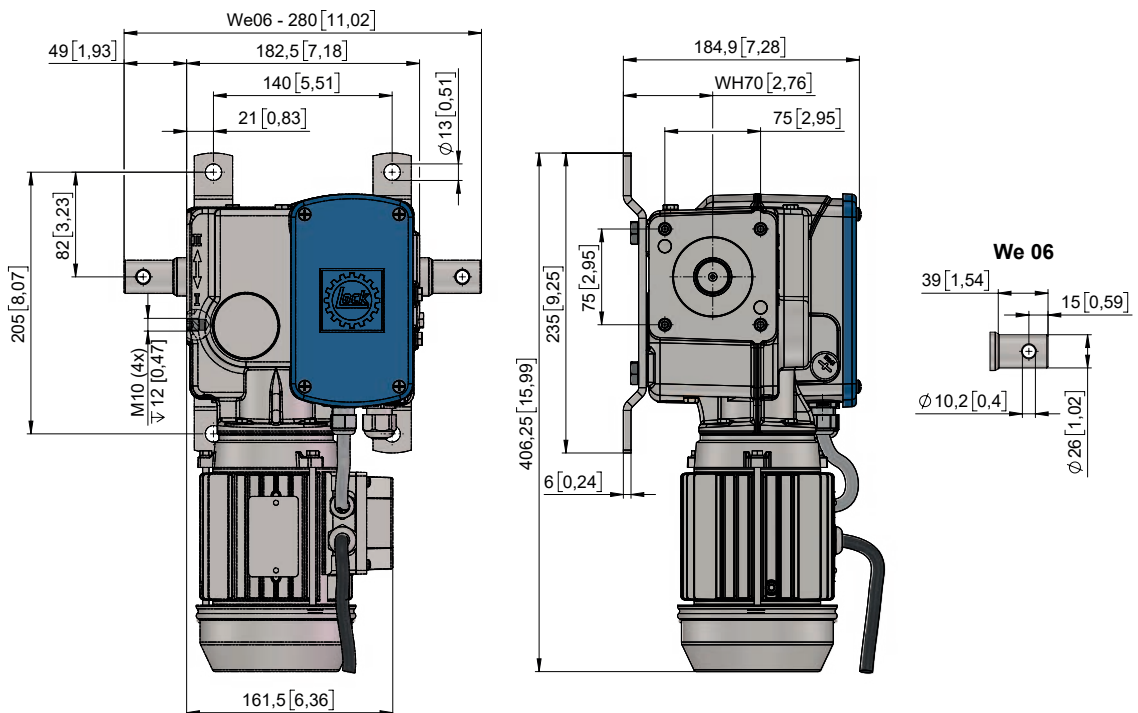


# DC Logic



- DC drive, ideally suited for emergency power supply.
- Regular operation: power supply via 24 VDC.
- Emergency operation: automatically detected! The drive reacts automatically to the reduced input voltage by limiting the power consumption.
- Due to this unique mode of operation, the emergency supply is not overloaded and operational safety is ensured in the long term.
- The frequency inverter enables the use of a strong 3~ motor. This means no wearing parts (e.g. brushes) in the motor.
- Proven and reliable end position switch-off with the LSC 40 DC.
- Simple installation thanks to the pre-installed connection cable with a length of 4 m.
- Simplified control due to intelligent electronics, therefore no reversing contactor control necessary.
- No motor protection switch required thanks to integrated I²t switch-off.



mm [inch]

# DC Logic

## EWA 50



Version	We 06 Art.Nr.	We 66 Art.Nr.	Info	m [kg]
---------	------------------	------------------	------	-----------

24V DC				
EWA 50.1501	12508.1501.1852	Please select DCZ parameterization from our table. You need other values? Our experts will be happy to advise you.		19,1

EWA Version	DCZ Version	Short text	T [Nm]	n1 24V [1/min]	n2 18V [1/min]	I [A]
-------------	-------------	------------	-----------	-------------------	-------------------	----------

24V DC						
EWA 50.1501	37150.0401.0001	DCZ 50 EWA 50.1501 150Nm 1rpm 24V DC	150	1,0	0,5	8 (6)