

AZD 03, AZD 05 // Rack & pinion units 300–700 N



- Rack & pinion units for actuation of medium-duty panels.
- Typical applications: Ventilation in wide-span greenhouses with single glazing, or in polytunnel, primary or secondary roof ridges in animal shed construction.
- Rack available in straight or curved version. With curved rack, less space required for pivoting (e.g. for side ventilation or shading).
- Various lengths of aluminium rack, window brackets for securing panels in scope of supply.
- Mounting on 1" drive tube (DIN 2440: 33.7 x 3.25 mm or DIN 2441: 33.7 x 4.05 mm) with four compression screws.
- Rack grease LUB 20 in scope of supply.

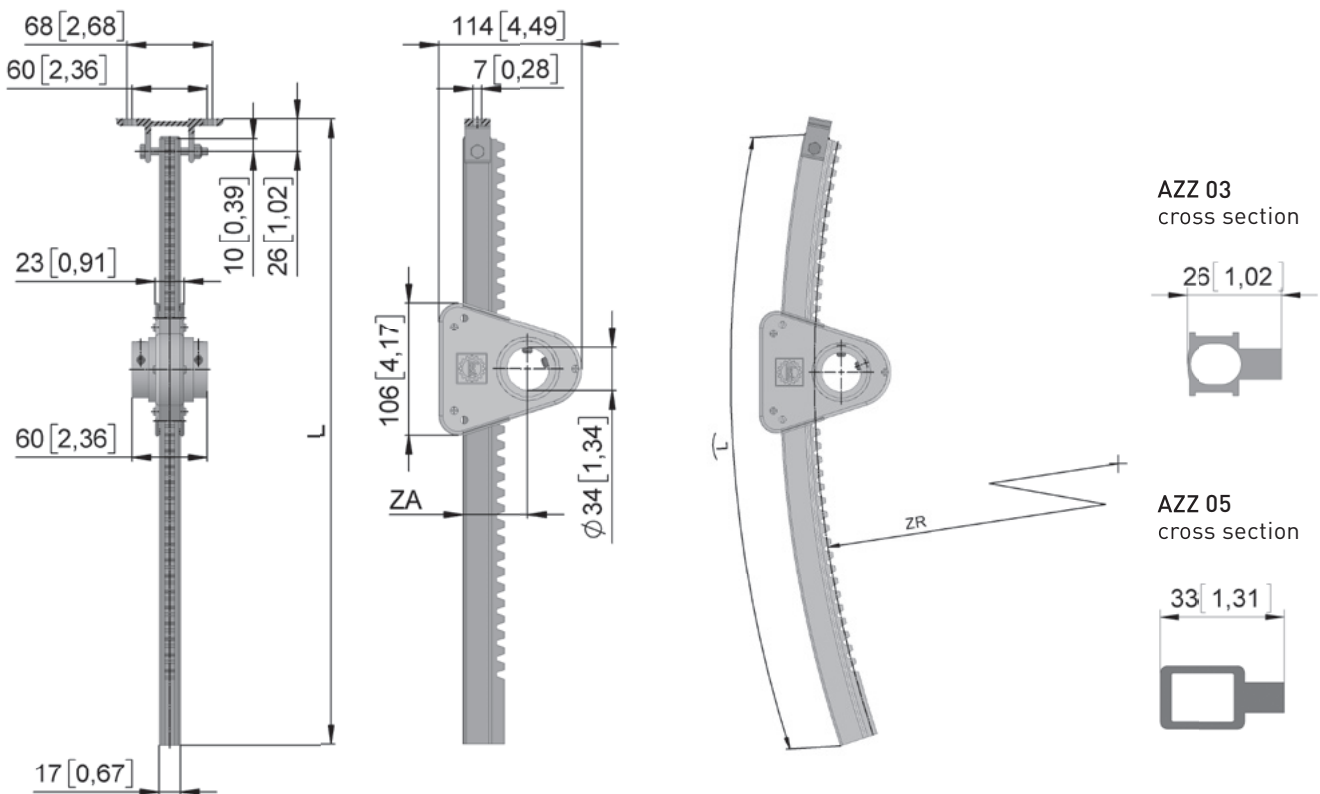
Option:

- Rack guard AZZ 60 for straight rack when required for insect protection (separation of good bugs / pests), grease guard or finger guard (people in nip range).

Note:

- Tighten down clamping ring screws to 8 Nm.

AZD 03 // AZD 05



mm [inch]

AZD 03, AZD 05 // Gear unit

300–700 N



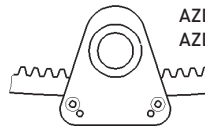
AZD 03



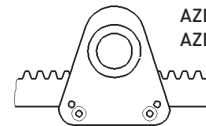
AZD 05

Version	Type no.	F [N]	v [mm/n]	r [mm]	ZA [mm]	m [kg]
Straight						
AZD 03.0253	61405.0302.53	300	126	20	42	0,4
AZD 05.0253	61405.0502.53	700	126	20	52	0,4
Curved						
AZD 03.1253	61405.0312.53	300	126	20	42	0,4
AZD 05.1253	61405.0512.53	600	126	20	52	0,4

→ **Note:** Please consult these drawings to distinguish between types of gear unit



AZD 03 – Straight
AZD 03 – Curved



AZD 05 – Straight
AZD 05 – Curved

AZZ 03, AZZ 05 // Racks

300–700 N



AZZ 03



AZZ 05



AZZ 03



AZZ 05

Version	Type no.	H [mm]	L [mm]	ZR [mm]	m [kg]
300 N // Straight					
AZZ 03.0208	61405.0302.6508	610	800	-	0,4
AZZ 03.0210	61405.0302.6510	810	1000	-	0,4
AZZ 03.0212	61405.0302.6512	1010	1200	-	0,5
700 N // Straight					
AZZ 05.0208	61405.0502.6508	610	800	-	0,5
AZZ 05.0210	61405.0502.6510	810	1000	-	0,6
AZZ 05.0212	61405.0502.6512	1010	1200	-	0,7
AZZ 05.0214	61405.0502.6514	1210	1400	-	0,9
AZZ 05.0216	61405.0502.6516	1410	1600	-	1,1
300 N // Curved					
AZZ 03.1208	61405.0312.6508	610	800	750	0,4
AZZ 03.1210	61405.0312.6510	810	1000	750	0,4
AZZ 03.1212	61405.0312.6512	1010	1200	750	0,5
600 N // Curved					
AZZ 05.1208	61405.0512.6508	610	800	1500	0,5
AZZ 05.1210	61405.0512.6510	810	1000	1500	0,6
AZZ 05.1212	61405.0512.6512	1010	1200	1500	0,7
AZZ 05.1214	61405.0512.6514	1210	1400	1500	0,9
AZZ 05.1216	61405.0512.6516	1410	1600	1500	1,1

AZD 15 // Gear units

600 N



AZD 15

Version	Type no.	F [N]	v [mm/n]	r [mm]	ZA [mm]	m [kg]
straight						
AZD 15.0253	61405.1502.53	600	126	20	52	0,6
curved						
AZD 15.1253	61405.1512.53	600	126	20	52	0,6

- **Note:** For repair or replacement of AZD. Split housing, so no need to remove the drive tube! Compatible with AZZ racks.
- Please use split repair bearing if bearing replacement is required. Bearing ALD 19 – see Accessories, Chapter 10.

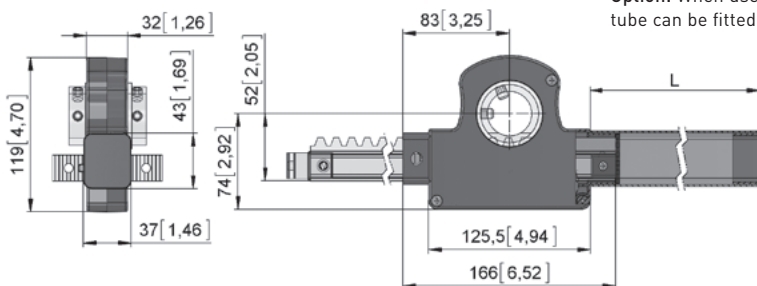
Accessories



AZZ 60

Version	Type no.	Info	L [mm]	m [kg]
AZZ 60.0301	81860.0301.0001	Protective housing // For AZD 03 – Straight. Suitable protective tube - see below.	-	0,1
AZZ 60.0501	81860.0501.0001	Protective housing // For AZD 05 – Straight. Suitable protective tube - see below.	-	0,1
AZZ 60.0504	81860.0501.0004	Protective tube // For stroke H = 410 mm	470	0,5
AZZ 60.0505	81860.0501.0005	Protective tube // For stroke H = 610 mm	670	0,8
AZZ 60.0506	81860.0501.0006	Protective tube // For stroke H = 810 mm	870	0,5
AZZ 60.0507	81860.0501.0007	Protective tube // For stroke H = 1010 mm	1070	1,2
AZZ 60.0508	81860.0501.0008	Protective tube // For stroke H = 1210 mm	1270	1,5
AZZ 60.0509	81860.0501.0009	Protective tube // For stroke H = 1310 mm	1370	0,8
AZZ 60.0510	81860.0501.0010	Protective tube // For stroke H = 1410 mm	1470	1,9

AZZ 60.0501



Option: When used as insect protection, a second protective tube can be fitted to opposite side on request!

