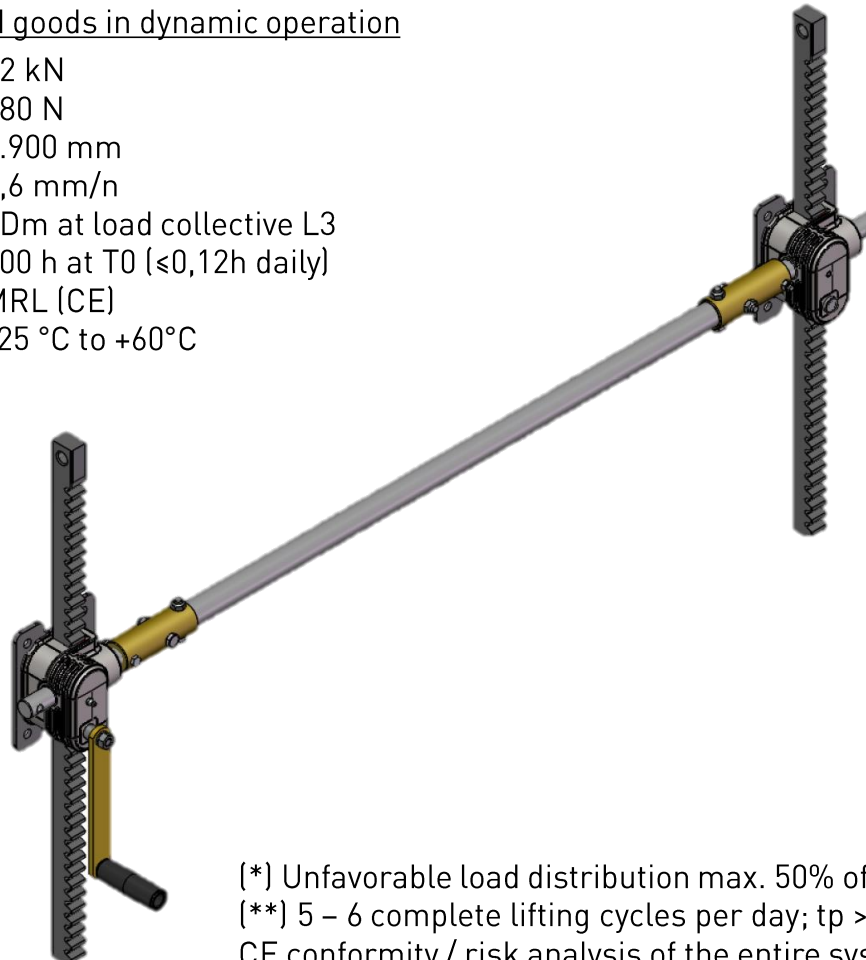


→ SYSTEM-KIT 90000.0002.7543



No Transport of persons and goods in dynamic operation

Lifting load max.	12 kN
Crank force max.	180 N
Stroke length max. (*)	1.900 mm
Lifting speed appr.	3,6 mm/n
Engine group (DIN 15020)	1Dm at load collective L3
Useful life (**)	100 h at T0 ($\leq 0,12$ h daily)
Operating standard	MRL (CE)
Ambient temperature	-25 °C to +60°C



No transport of persons
In dynamic mode

Connecting shaft
provided by the customer

(*) Unfavorable load distribution max. 50% of the lifting load each rack
(**) 5 – 6 complete lifting cycles per day; $t_p > 30$ min
CE conformity / risk analysis of the entire system is carried out by the customer