

→ SYSTEM-KIT 90000.0002.7549

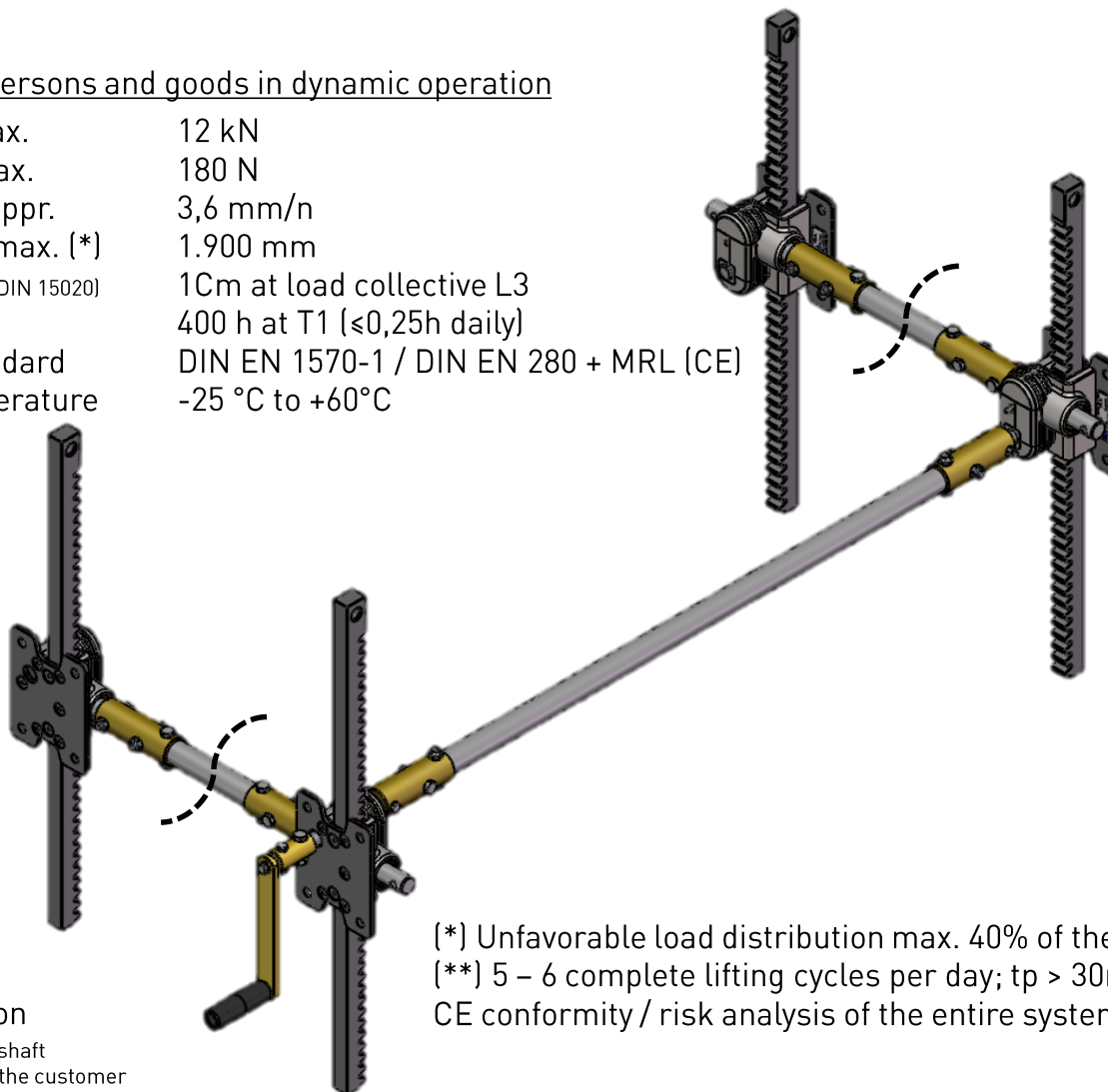



Transport of persons and goods in dynamic operation

Lifting load max.	12 kN
Crank force max.	180 N
Lifting speed appr.	3,6 mm/n
Stroke length max. (*)	1.900 mm
Engine group (DIN 15020)	1Cm at load collective L3
Useful life	400 h at T1 (≤0,25h daily)
Operating standard	DIN EN 1570-1 / DIN EN 280 + MRL (CE)
Ambient temperature	-25 °C to +60°C



Transport of persons
In dynamic mode



 = Extension
Connecting shaft
provided by the customer

(*) Unfavorable load distribution max. 40% of the lifting load each rack
(**) 5 – 6 complete lifting cycles per day; tp > 30min
CE conformity / risk analysis of the entire system is carried out by the customer