

→ SYSTEM-KIT 90000.0002.7551

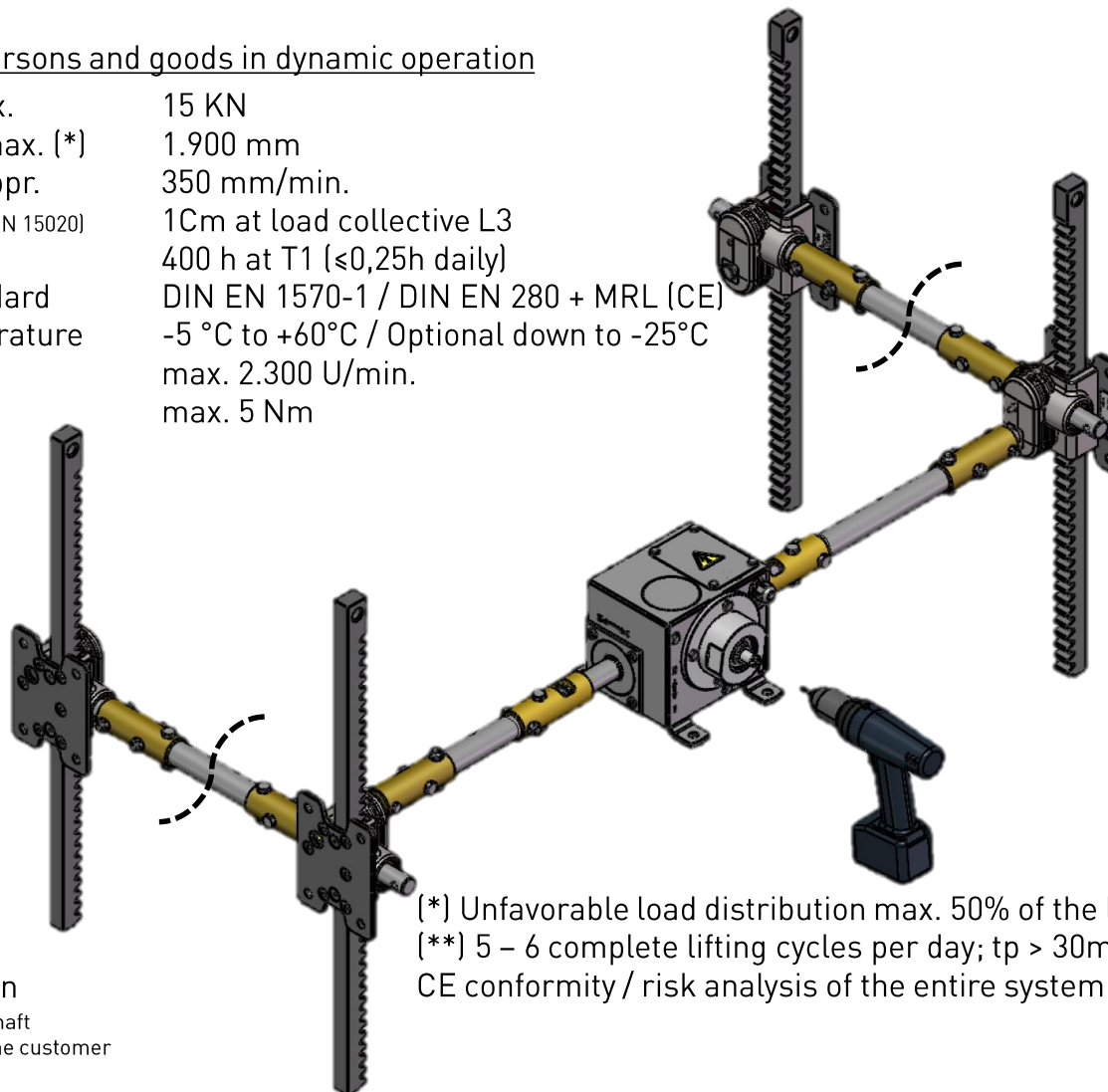


Transport of persons and goods in dynamic operation

Lifting load max.	15 kN
Stroke length max. (*)	1.900 mm
Lifting speed appr.	350 mm/min.
Engine group (DIN 15020)	1Cm at load collective L3
Useful life (**)	400 h at T1 ($\leq 0,25$ h daily)
Operating standard	DIN EN 1570-1 / DIN EN 280 + MRL (CE)
Ambient temperature	-5 °C to +60°C / Optional down to -25°C
Input speed	max. 2.300 U/min.
Input torque	max. 5 Nm



Transport of persons
In dynamic mode



 = Extension
Connecting shaft
provided by the customer

(*) Unfavorable load distribution max. 50% of the lifting load each rack
(**) 5 – 6 complete lifting cycles per day; $t_p > 30$ min
CE conformity / risk analysis of the entire system is carried out by the customer